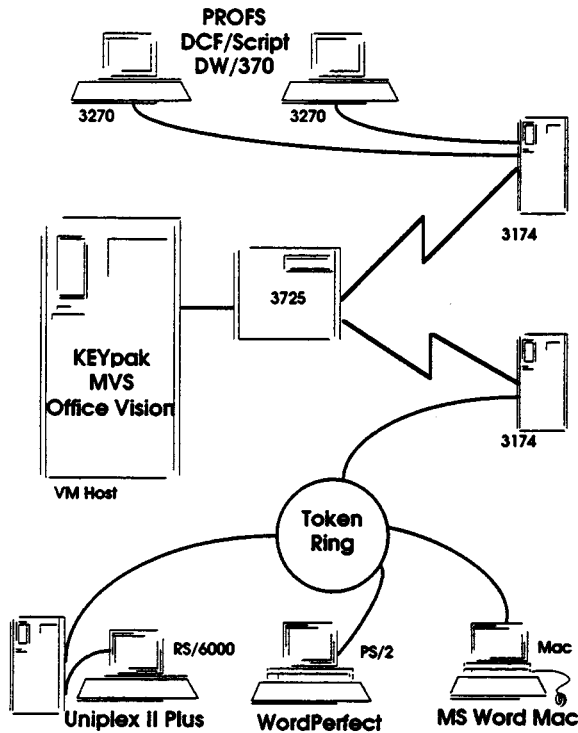


KEYpak[®]

IBM MVS

"World Leader in Open Document Exchange Solutions"



Introduction

The previously closed world of office automation systems is adapting rapidly to the realities of desktop computing. New client-server network models are challenging the traditional mainframe-terminal architectures. Meaningful exchange of documents between IBM mainframes, personal computer users and other host systems is being demanded as users evolve away from the mainframe environment.

KEYpak enables IBM MVS users to productively share documents created by personal computer users and users of other host systems regardless of the type of document or word processing software they use. Each type of user has the ability to work in their preferred environment with fully editable documents and all of the original document attributes intact.

Product Description

KEYpak is the name for a family of products that provide document interchange services on many different platforms. KEYpak IBM MVS is the product name for KEYpak technology running in the IBM Multiple Virtual System operating system environment.

Editable Document Exchange

KEYpak converts word processing documents, including text and formatting codes, bi-directionally between IBM mainframe document processing software such as DCF/Script or DisplayWrite/370 and most major word processing software running on DOS, Macintosh, Windows, OS/2, DEC VAX, HP MPE and UNIX platforms. KEYpak produces a document which is fully revisable by word or document processors of the user's choice. Over forty-five different translators are supported.

Environments

KEYpak is available with a Command Line access process under TSO (Time Control Option) and as a JCL (Job Control Language) batch job.

Optional custom integration for OfficeVision MVS and e-mail integration with MEMO, EMC2 and CAe-mail are also available through our Professional Services department (see Professional Services fact sheet).

KEYpak is also available integrated with Soft•Switch Central™ electronic mail bridges. KEYpak Connection, a software interface provided by Soft•Switch provides a fully integrated solution. Refer to the KEYpak Connection fact sheet for more information.

Terminal Users

In its simplest implementation, IBM 3270 terminal users can execute KEYpak conversions directly